

## Heating and cooling

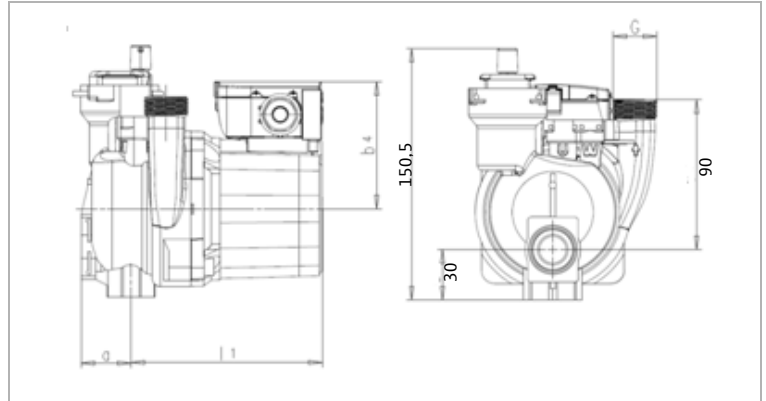


## Specific asynchronous circulators for heating application

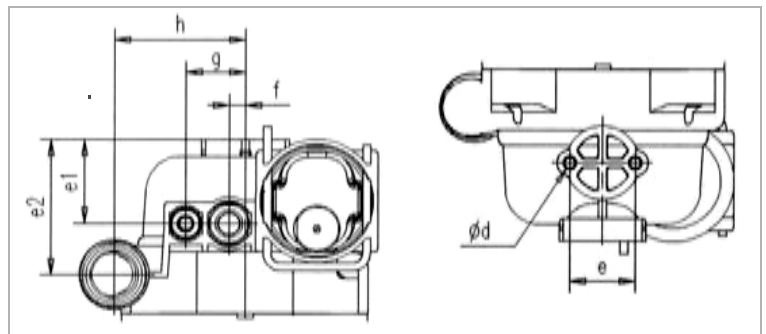
Type : NFSL and DNFS



Also available as Integrated Circulator



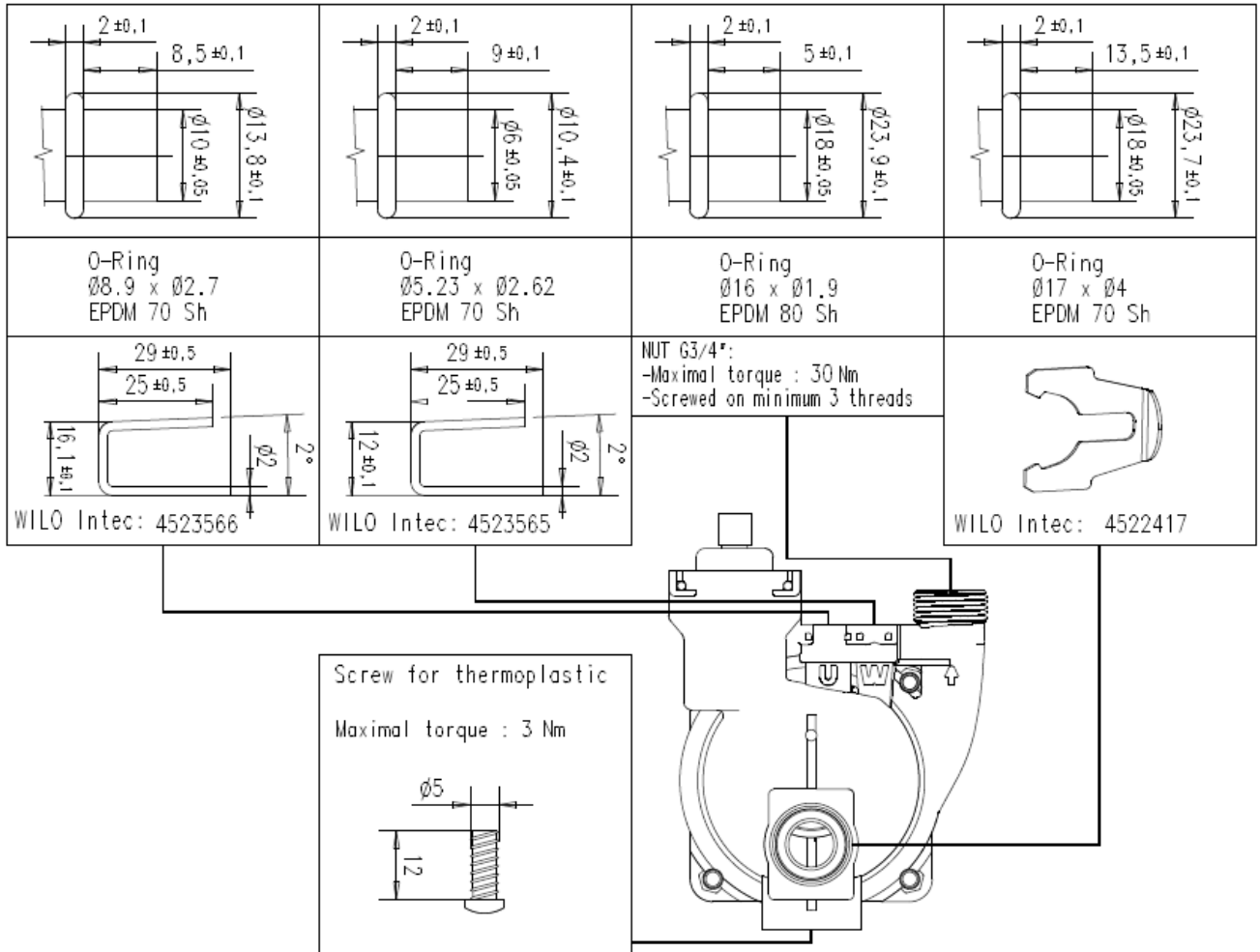
d	4,1
e	25
e1	31,5
e2	50,75
f	6
g	22
h	49



	Thread	Dimensions		
	G	l1	a	b4
NFSL12/Premium – DNFS,/Premium-12	3/4"	114	29,8	72,5
NFSL12/5 HE – DNFS,/43 HE-12	3/4"	114	29,8	72,5
NFSL12/6 HE – DNFS,/53 HE-12	3/4"	114	29,8	72,5
NFSL12/6 HEP – DNFS,/53 HEP-12	3/4"	114	29,8	76
NFSL12/6 Compact – DNFS,/53 Compact-12	3/4"	114	29,8	72,5
NFSL12/7 HE – DNFS,/63 HE-12	3/4"	127	29,8	76

## Specific asynchronous circulators for heating application

Type : NFSL and DNFS



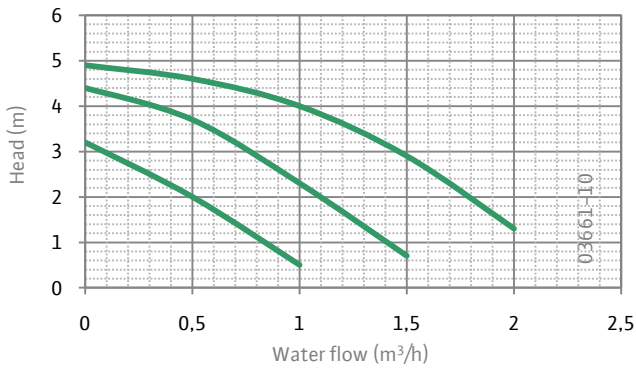
Please note that the connections U and W can be delivered open or closed

# Specific asynchronous circulators for heating application

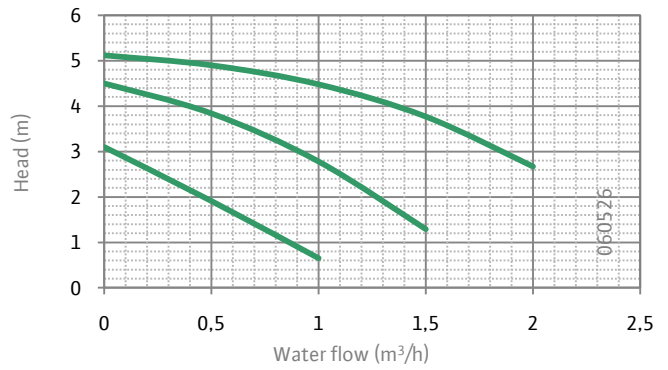
Type : NFSL and DNFS

	n l/min	P1 W	I A	Capacitor µf/VDB
NFSL12/Premium DNFS./Premium-12	max 2460	59	0,26	2/400
	1950	49	0,23	
	min 1710	33	0,15	
NFSL12/5 HE DNFS./43 HE-12	max 2400	77	0,34	2/400
	2000	56	0,26	
	min 1650	36	0,17	
NFSL12/6 HE DNFS./53 HE-12	max 2300	82	0,37	2/400
	2030	58	0,27	
	min 1720	39	0,18	

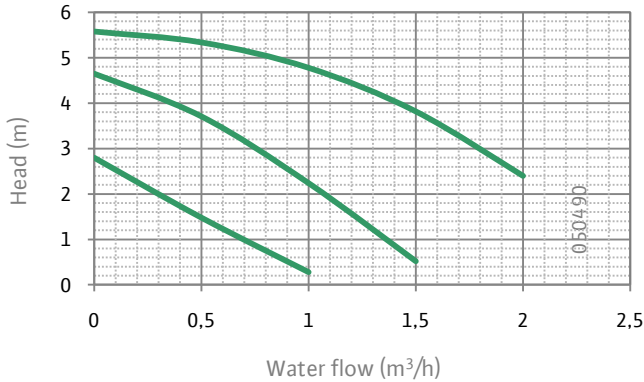
NFSL 12/Premium-3



NFSL 12/5 HE-3



NFSL 12/6 HE-3



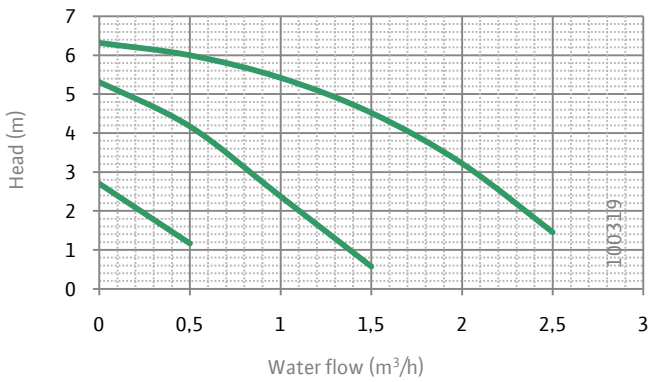
Nota bene : tolerances of each curve are according to EN 1151-1:2006

# Specific asynchronous circulators for heating application

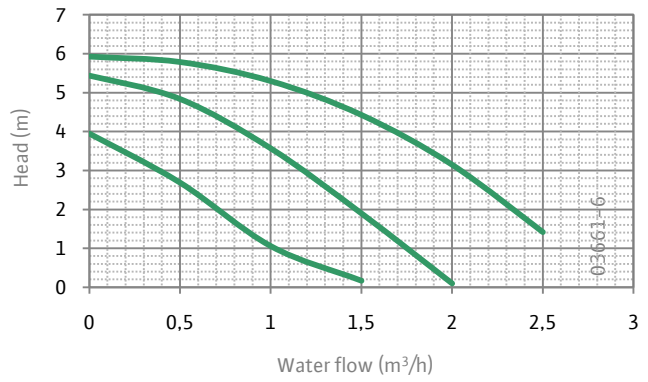
Type : NFSL and DNFS

	n l/min	P1 W	I A	Capacitor µf/VDB
NFSL12/6 Compact DNFS./53-12 Compact	max 2400	84	0,36	2 / 400
	2000	57	0,26	
	min 1200	36	0,18	
NFSL12/6 HEP DNFS./53 HEP-12	max 2400	83	0,37	2,6 / 400
	2130	58	0,27	
	min 1820	40	0,18	
NFSL12/7 HE DNFS./63 HE-12	max 2570	118	0,52	3,5 / 400
	2450	78	0,36	
	min 1700	60	0,28	

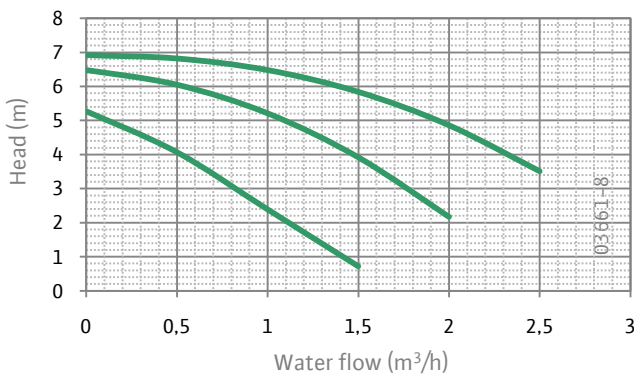
NFSL 12/6 Compact-3



NFSL 12/6 HEP-3



NFSL 12/7 HE-3



**Wilointec**

50 av. Casella  
F-18700 Aubigny sur Nère  
Tel : +33 2 48 81 62 62  
Fax : +33 2 48 58 20 29  
www.wilointec.com

[information@wilointec.com](mailto:information@wilointec.com)

**Sales & Marketing Director**

Vincent Fleurier  
Tel : +33 2 48 81 62 74  
Fax : +33 2 48 58 20 29  
vincent.fleurier@wilointec.com

**Sales Administration Manager**

Véronique Martin  
Tel : +33 2 48 81 62 75  
Fax : +33 2 48 58 20 29  
veronique.martin@wilointec.com

**Sales Manager France & Spain**

Robert Carre  
Tel : +33 2 48 81 62 72  
Fax : +33 2 48 58 20 29  
robert.carre@wilointec.com

**Sales Manager Italy**

Dario Frazza  
Tel : +39 335 762 6181  
Fax : +39 059 286 0855  
dario.frazza@wilointec.com

**Sales Manager Subsidiaries**

Gilles Moulin  
Tel : +33 2 48 81 62 25  
Fax : +33 2 48 58 20 29  
gilles.moulin@wilointec.com

**Sales Manager Germany**

Thomas Merscheim  
Tel : +49 172 352 3933  
Fax : +49 231 410 2578  
thomas.merscheim@wilo.de

**Sales Manager UK**

Kevin Padmore  
Tel : +44 776 801 8879  
Fax : +44 128 373 2380  
kevin.padmore@wilointec.com

**Sales Manager Benelux**

Ronald Rijkhoff  
Tel : +31 653 126 749  
Fax : +31 251 215 214  
ronald.rijkhoff@wilo.nl