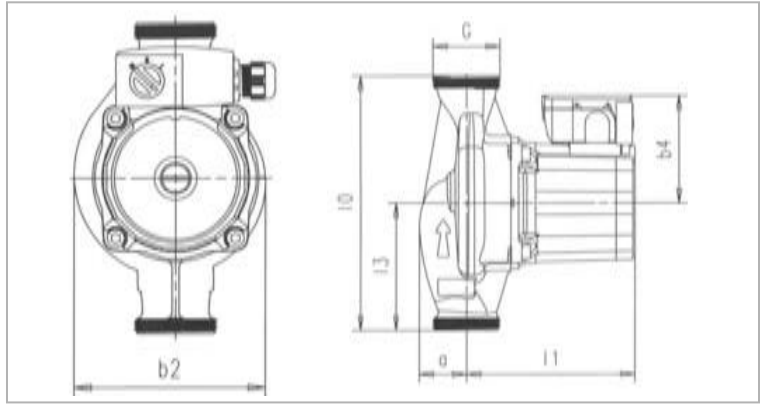


Solar thermal energy systems

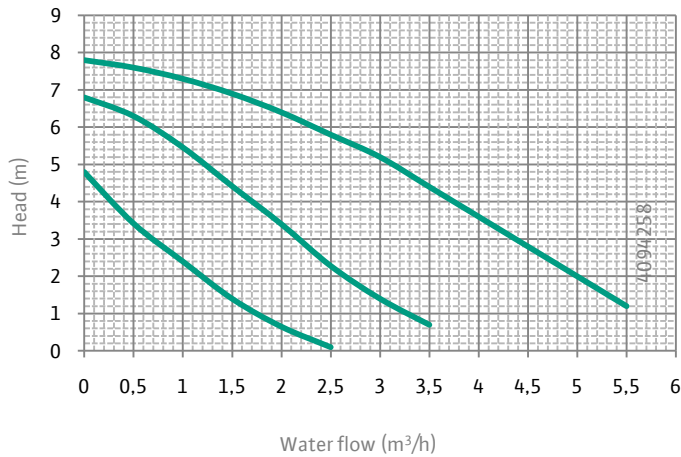


Asynchronous circulators for solar application

Type ST/8 High flow



ST/8



	n l/min	P1 W	I A	Capacitor μF / VDB
ST25/8 ST30/8	Max	2400	151	3,5 / 400
		2100	113	
	Min	1800	81	

	Thread	Dimensions					
	G	l0	l1	l3	a	b2	b4
ST25/8	1"1/2	180	119	90	33,3	111	76
ST30/8	2"	180	119	90	33,3	111,5	76

Nota bene : Pump approved for TF 95.
 Up to 50h/a at 110°C (max 2h/d) water temperature acceptable during pump operation
 Up to 50h/life time at 140°C water temperature acceptable without pump operation (stagnation)

Nota bene : tolerances of each curve are according to EN 1151-1:2006

Wilointec

50 av. Casella
F-18700 Aubigny sur Nère
Tel : +33 2 48 81 62 62
Fax : +33 2 48 58 20 29
www.wilointec.com

information@wilointec.com

Sales & Marketing Director

Vincent Fleurier
Tel : +33 2 48 81 62 74
Fax : +33 2 48 58 20 29
vincent.fleurier@wilointec.com

Sales Administration Manager

Véronique Martin
Tel : +33 2 48 81 62 75
Fax : +33 2 48 58 20 29
veronique.martin@wilointec.com

Sales Manager France & Spain

Robert Carre
Tel : +33 2 48 81 62 72
Fax : +33 2 48 58 20 29
robert.carre@wilointec.com

Sales Manager Italy

Dario Frazza
Tel : +39 335 762 6181
Fax : +39 059 286 0855
dario.frazza@wilointec.com

Sales Manager Subsidiaries

Gilles Moulin
Tel : +33 2 48 81 62 25
Fax : +33 2 48 58 20 29
gilles.moulin@wilointec.com

Sales Manager Germany

Thomas Merscheim
Tel : +49 172 352 3933
Fax : +49 231 410 2578
thomas.merscheim@wilo.de

Sales Manager UK

Kevin Padmore
Tel : +44 776 801 8879
Fax : +44 128 373 2380
kevin.padmore@wilointec.com

Sales Manager Benelux

Ronald Rijkhoff
Tel : +31 653 126 749
Fax : +31 251 215 214
ronald.rijkhoff@wilo.nl