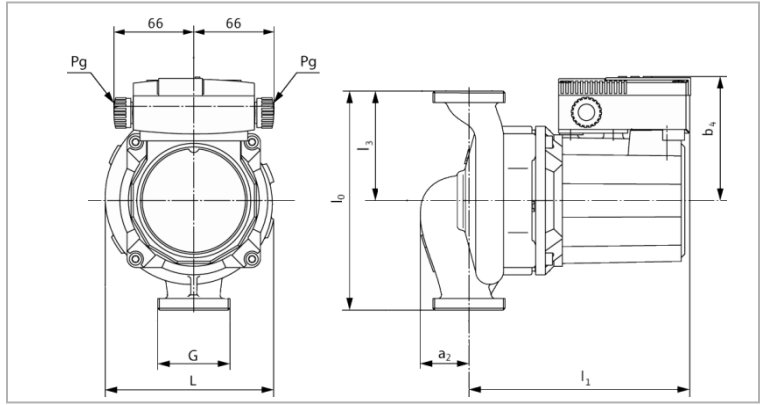


Heating and cooling



Inline asynchronous circulators for heating application

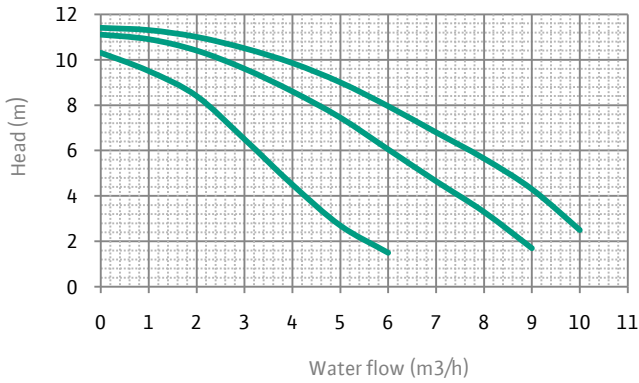
Type : TOP S



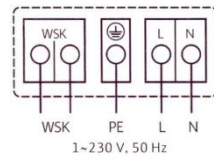
NB : supplied with PG on both sides

These pumps are also suitable for solar thermal and geothermal energy systems.

TOP-S25/10 – TOP-S30/10



Wiring diagram



Internal protection against unacceptably high winding temperatures

Tripping: Internal interruption of motor voltage

Reset: Automatic after motor has cooled down

	Steps	n 1 / min	P1 W	I A	Capacitor µF / VDB
TOP-S 25/10 TOP-S 30/10	1	2700	225 – 390	1.9	8 / 400
	2	2550	190 – 385	1.87	
	3	2400	165 – 335	1.72	

	Thread	Dimensions					
	G	l0	l3	a2	l1	L	b4
TOP-S 25/10	1"1/2	180	90	45	172	137	102
TOP-S 30/10	2"	180	90	45	172	137	102

Wilointec

50 av. Casella
F-18700 Aubigny sur Nère
Tel : +33 2 48 81 62 62
Fax : +33 2 48 58 20 29
www.wilointec.com

information@wilointec.com

Sales & Marketing Director

Vincent Fleurier
Tel : +33 2 48 81 62 74
Fax : +33 2 48 58 20 29
vincent.fleurier@wilointec.com

Sales Administration Manager

Véronique Martin
Tel : +33 2 48 81 62 75
Fax : +33 2 48 58 20 29
veronique.martin@wilointec.com

Sales Manager France & Spain

Robert Carre
Tel : +33 2 48 81 62 72
Fax : +33 2 48 58 20 29
robert.carre@wilointec.com

Sales Manager Italy

Dario Frazza
Tel : +39 335 762 6181
Fax : +39 059 286 0855
dario.frazza@wilointec.com

Sales Manager Subsidiaries

Gilles Moulin
Tel : +33 2 48 81 62 25
Fax : +33 2 48 58 20 29
gilles.moulin@wilointec.com

Sales Manager Germany

Thomas Merscheim
Tel : +49 172 352 3933
Fax : +49 231 410 2578
thomas.merscheim@wilo.de

Sales Manager UK

Kevin Padmore
Tel : +44 776 801 8879
Fax : +44 128 373 2380
kevin.padmore@wilointec.com

Sales Manager Benelux

Ronald Rijkhoff
Tel : +31 653 126 749
Fax : +31 251 215 214
ronald.rijkhoff@wilo.nl